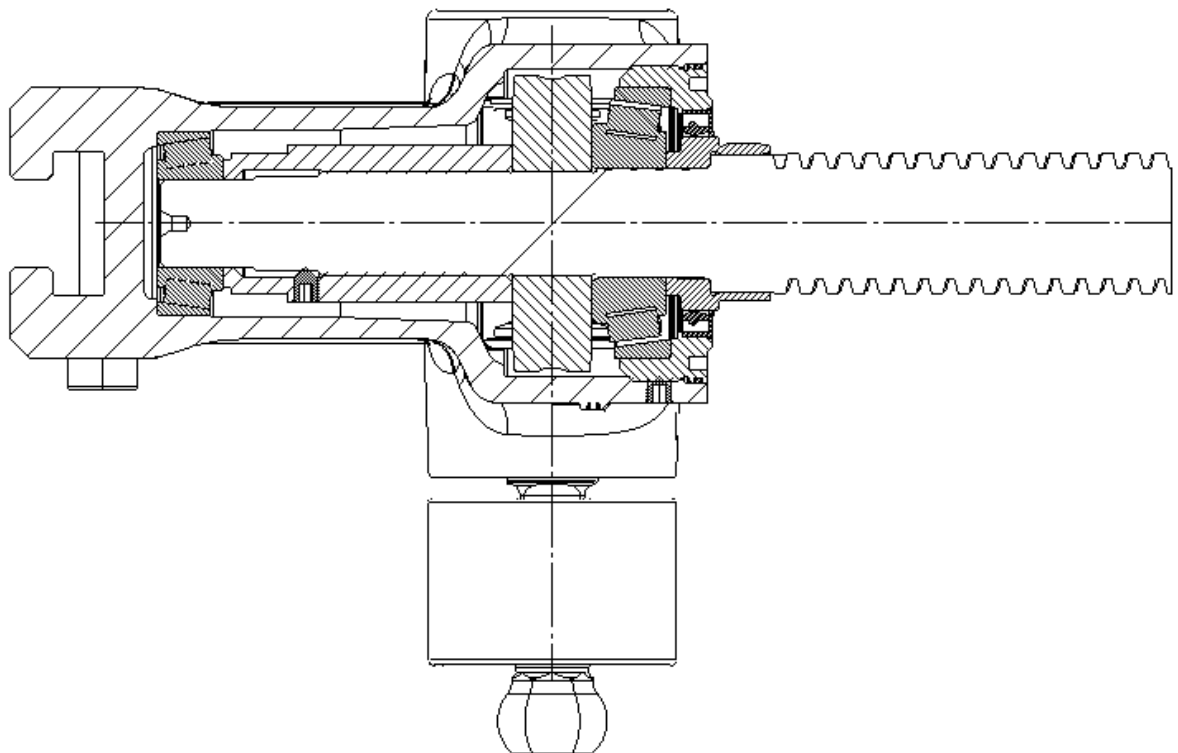
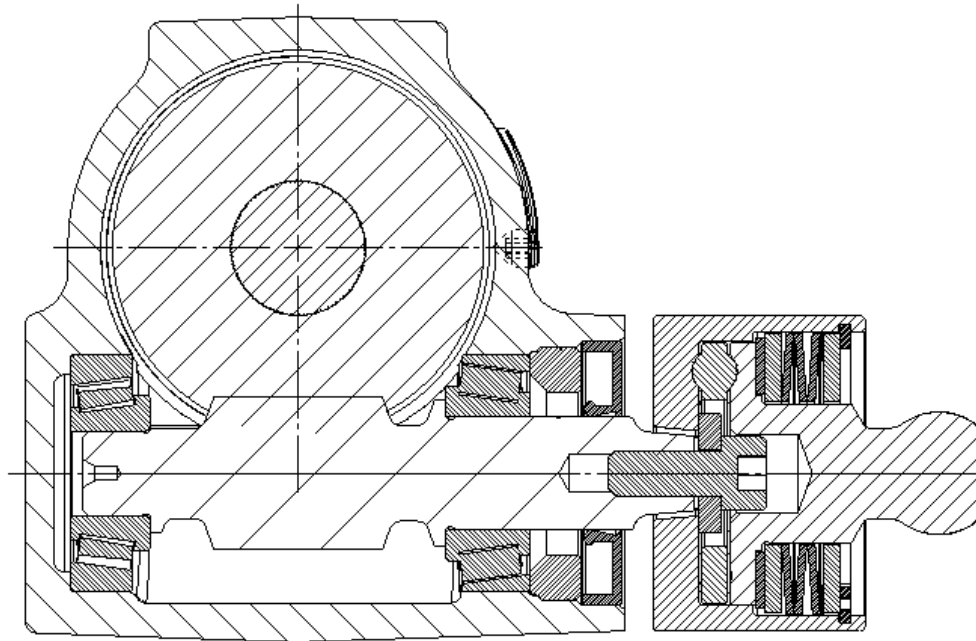
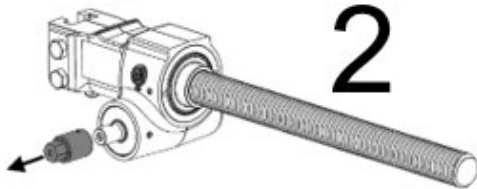
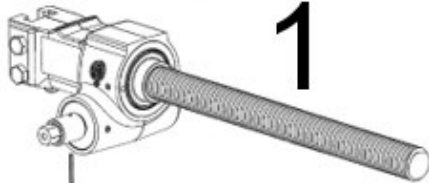
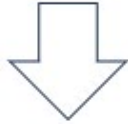
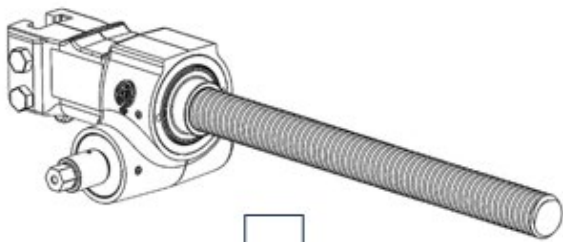


Change of trapezoidal spindle in gearbox





6

